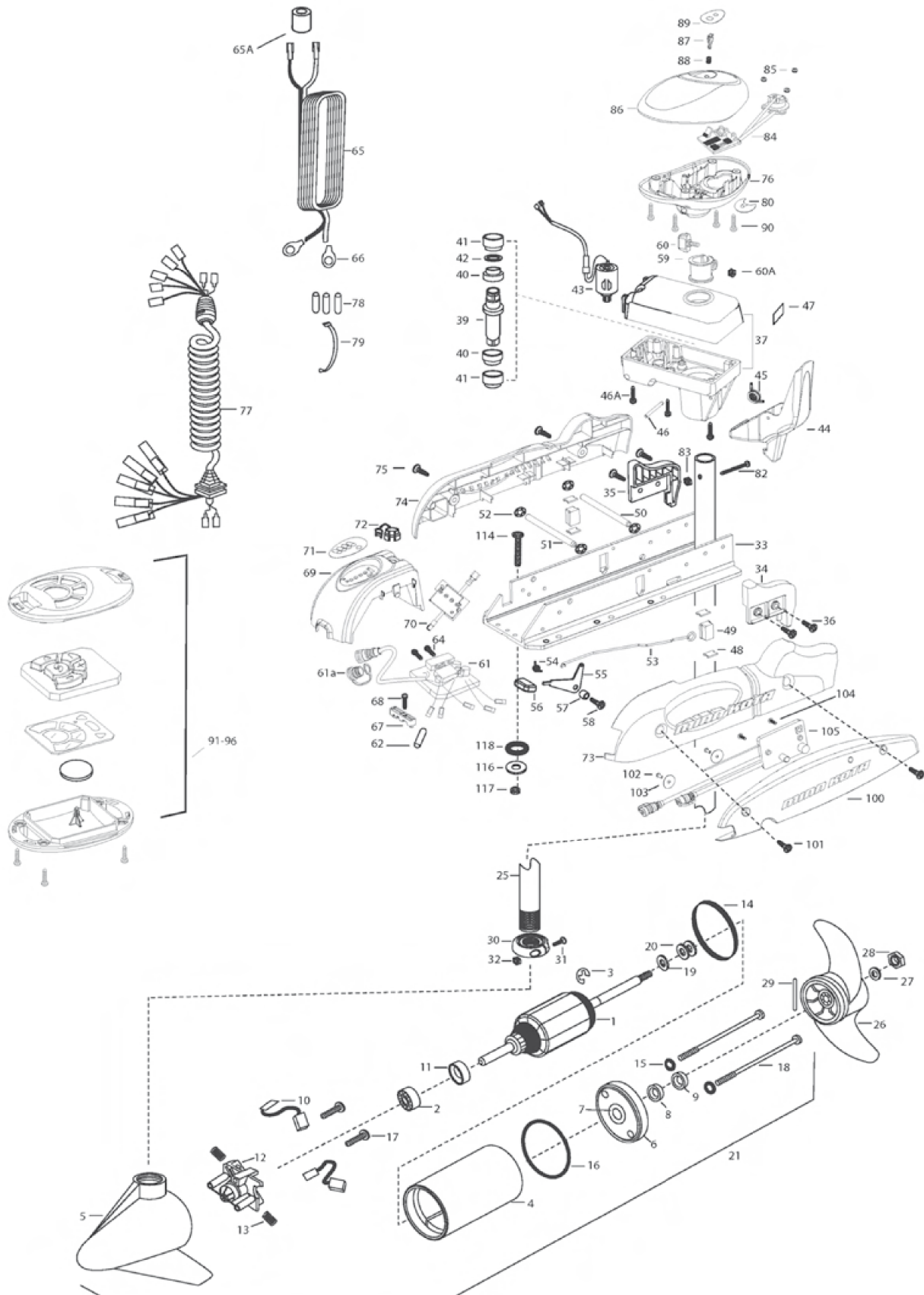


## RIPTIDE 55 SP AUTOPILOT



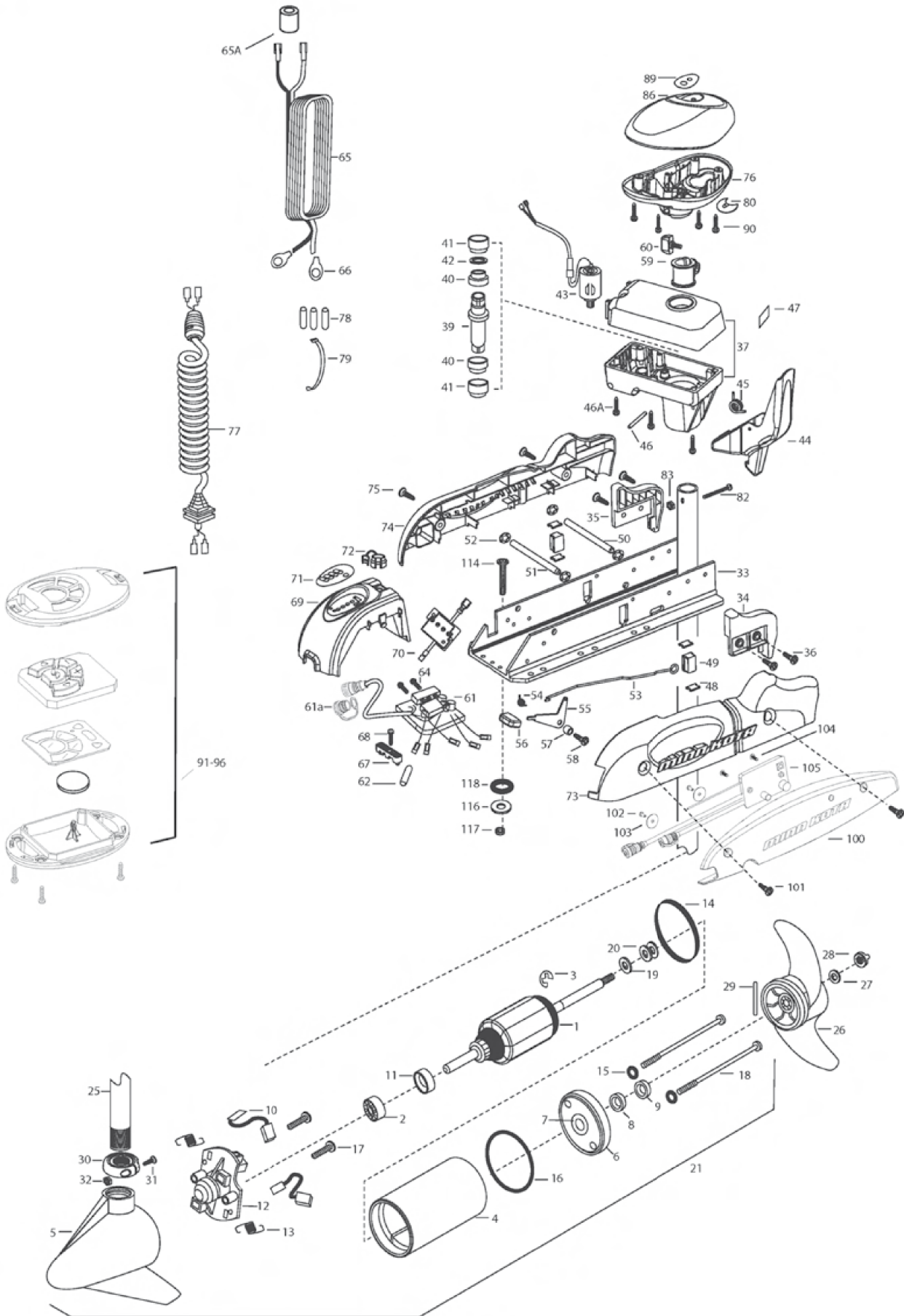


MINN KOTA®

## RIPTIDE 55 SP AUTOPILOT

1	2-100-117	ARMATURE ASSEMBLY 12V VARS TXT	*41	2307305	BUSHING- OUTER [2.EA]	80	2224703	INSERT- PLUG WHITE	
2	140-010	BALL BEARING	*42	2304603	O-RING	82	2332102	SCREW-10-24 X 1-3/4	
3	788-015	RETAINING RING	43	2307050	MOTOR- DRIVE HOUSING HIGH SPD	83	2333101	NUT-HEX 10-24 NYLOC	
4	2-200-301	HOUSING ASSEMBLY CENTER 3.62 TXT	44	2307201	LATCH HANDLE PD/AP	84	2994014	CNTFL BOARD/AP COMPASS ASSEMBLY	
5	421-336	HOUSING -BRUSH END 3.62 TXT	45	2302750	SPRING- LATCH TORSION PD/AP	85	2994015	COMPASS BOARD, SOUT HEMISPHERE	
6	2-400-337	PLAIN END HOUSING ASSEMBLY 3.625	46	2302628	PIN- ROLL 3/16X2 SS	86	2302960	GROMMET-COMPASS [3.EA]	
7	144-049	BEARING - FLANGE (SERVICE ONLY)	46A	2303405	SCREW - DRIVE HOUSING [6 EA]	86	2300243	CONTROL BOX COVER- RIPTIDE WHITE	
8	880-003	SEAL	47	2305564	DECAL-STOW/DEPLOY	87	2304082	ACTUATOR- SWITCH ON/OFF A/P	
9	880-006	SEAL WITH SHIELD	48	2305110	PAD-PIVOT SUPT [4.EA]	88	2303752	SPRING- ACTUATOR PD/AP SS	
10	188-036	BRUSH ASSEMBLY [2.EA]	49	2305103	PIVOT PAD- NEW MTRL [2.EA]	89	2305655	DECAL- COVER 55 pd/lap	
11	725-050	BRUSH RETENTION- PAPER TUBE	50	2330510	PIN-LATCH PD BASE SS	90	2372100	SCREW-8-18 X 5/8 THD CUT [4.EA]	
12	738-036	BRUSH PLATE W/HOLDER	51	2330520	PIN-PIVOT PD BASE SS	91	2994020	COPILOT TRANSMITTER	
13	975-040	SPRING - TORSION [2.EA]	52	2013100	NUT-SPEED [4.EA]	91		CASE, COVER, TRANSMITTER	
14	337-036	GASKET	53	2303612	ROD-RELEASE RT/AP S	92		KEYPAD	
15	701-008	O-RING, THRU-BOLT [2.EA]	54	2322700	SPRING-RELEASE LEVER	93		CIRCUIT BOARD, TRANSMITTER	
16	701-081	O-RING	55	2333705	LEVER-RELEASE SS	94		BATTERY, COIN	
17	830-007	SCREW-8-32 [2.EA]	56	2300101	RELEASE-KNOB	95		CASE, BOTTOM, TRANSMITTER	
18	830-042	THRU-BOLT 10-32X8.83 [2.EA]	57	2301700	SPACER-RELEASE LEVER	96		SCREW, TRANSMITTER [4EA]	
19	990-067	WASHER- STEEL THRUST	58	2332104	SCREW-1/4-20 X 5/8 SS	96		RECEIVER ASSEMBLY V2, COPILOT	
20	990-070	WASHER - NYLATRON [2.EA]	59	2031522	COLLAR- DRIVE (W/INSERT)	100	2994089	RECEIVER ASSEMBLY V2, COPILOT	
21	2097095	MOTOR ASSEMBLY 12V 3.62 48"	60	2011366	SCREW-COLLAR/NEW KNOB SS	101	2372511	CASE, RECEIVER WHT	
25	2097100	MOTOR ASSEMBLY 12V 3.62 60"	60A	2323104	NUT	101	2373442	SCREW 1/4-20 X 1.75 SS [2EA]	
2032021	TUBE- COMPOSITE WHT 48"	2032022	TUBE- COMPOSITE WHT 54"	61	2304062	CONTROL BOARD ASSEMBLY- 12V	102	2373450	SCREW #8 X 3/8 [2EA]
2032022	TUBE- COMPOSITE WHT 54"	2032025	TUBE- COMPOSITE WHT 60"	61a	2320208	DUST PLUG	103	2371727	WASHER [2EA]
2032025	TUBE- COMPOSITE WHT 60"	1378131	PROPELLER KIT	62	2355403	SHRINK TUBE-3/8 ODX2	104	2373418	SCREW #8 X 5/8 SS
26	2091160	PROPELLER W/WEDGE 2	64	2303434	SCREW-8-32 X 5/8 [3.EA]	105	2374089	CIRCUIT BOARD V2, RECEIVER	
27	2151726	WASHER-5/16 SS	65	2090651	LEADWIRE IOGA 44"	114	2994864	BAG ASSEMBLY- (BOLT,NUT,WASHERS)	
28	2198400	ANODE- ZINC 3.25/3.625 LWR U	65A	2307310	BEAD - FERRITE (CE MODELS ONLY)	116	2263462	BOLT-MOUNTING-1/4X2 W/STG [6.EA]	
29	2092600	PIN-DRIVE	66	2020700	TERMINAL RING [2.EA]	116	2261713	WASHER-1/4 [6.EA]	
30	2301545	COLLAR- LATCH PD/AP	67	2321310	STRAIN RELIEF- BRACKET PD/AP	117	2263103	NUT NYLON 1/4-20 MTG [6 EA]	
31	2303434	SCREW- 8-32X5/8 MACH PHCR	68	2323405	SCREW-1/4-20 X 5/8 SS	118	2301720	WASHER-MOUNTING RUBBER [6.EA]	
32	2303112	NUT 8-32 NYLOC SS	69	2306556	HOUSING- CENTER PD/AP WHIT	118		SEAL & ORING KIT	
33	2301937	EXTRUSION- BASE MACHINED	70	2074080	BATTERY GAUGE - 12 VOLT				
34	2303932	MOTOR REST- RIGHT 3-5/8	71	2316606	DECAL- BATT GAUGE H RT AP				
35	2303937	MOTOR REST- LEFT 3-5/8	72	2302935	STRAIN RELIEF-DR. HOUSING				
36	2332104	SCREW 1/4-20X5/8 SS SELF TAP [4.EA]	73	2303944	SIDEPLATE (RIGHT) WHITE				
37	2771827	DRIVE HOUSING / LATCH HANDLE WHITE	74	2303949	SIDEPLATE(LEFT) WHITE				
38	2882011	BUSHING/OUTSHAFT KIT (INCLUDES 39-42)	75	2332104	SCREW-1/4-20 X 5/8 SS				
39	2302010	DRIVE HOUSING OUTPUT SHAFT	76	2302516	CONTROL BOX WHT				
40	2307304	BUSHING- INNER [2.EA]	77	2991285	COIL CORD W/STRAIN RELIEF 48, 54"				
			78	2065400	WIRE INSULATOR-LGE 1-3/4 [3.EA]				
			79	2256300	TIE WRAP-5" BLACK				

## RIPTIDE 55 SP POWERDRIVE





MINN KOTA®

## RIPTIDE 55 SP POWERDRIVE

1	2-100-117	ARMATURE ASSEMBLY 12V VARS TXT	*42	2304603	O-RING	79	2256300	TIE WRAP-5" BLACK
2	140-010	BALL BEARING	43	2307050	MOTOR- DRIVE HOUSING HIGH SPD	80	2224703	INSERT- PLUG WHITE
3	788-015	RETAINING RING	44	2307201	LATCH HANDLE PD/AP	82	232102	SCREW-10-24 X 1-3/4
4	2-200-301	HOUSING ASSEMBLY CENTER 3.62 TXT	45	2302750	SPRING- LATCH TORSION PD/AP	83	2333101	NUT-HEX 10-24 NYLOC
5	421-336	HOUSING -BRUSH END 3.62 TXT	46	2302628	PIN- ROLL 3/16X2 SS	86	2300243	CONTROL BOX COVER- RIPTIDE WHITE
6	2-400-337	PLAIN END HOUSING ASSEMBLY 3.625	46A	2303405	SCREW - DRIVE HOUSING [6 EA]	89	2315689	DECAL- COVER 55pd
7	144-049	BEARING - FLANGE (SERVICE ONLY)	47	2305564	DECAL-STOW/DEPLOY	90	2372100	SCREW-8-18 X 5/8 THD CUT [4.EA]
8	880-003	SEAL	48	2305110	PAD-PIVOT SUPT [4.EA]	■	2994020	COPILOT TRANSMITTER
9	880-006	SEAL WITH SHIELD	49	2305103	PIVOT PAD- NEW MTR'L [2.EA]	91		CASE, COVER, TRANSMITTER
10	188-036	BRUSH ASSEMBLY [2.EA]	50	2330510	PIN-LATCH PD BASE SS	92		KEYPAD
11	725-050	BRUSH RETENTION- PAPER TUBE	51	2330520	PIN-PIVOT PD BASE SS	93		CIRCUIT BOARD, TRANSMITTER
12	738-036	BRUSH PLATE W/HOLDER	52	2013100	NUT-SPEED [4.EA]	94		BATTERY, COIN
13	975-040	SPRING - TORSION [2.EA]	53	2303612	ROD-RELEASE RT/AP S	95		CASE, BOTTOM, TRANSMITTER
14	337-036	GASKET	54	2322700	SPRING-RELEASE LEVER	96		SCREW, TRANSMITTER [4EA]
15	701-008	O-RING, THRU-BOLT [2.EA]	55	2333705	LEVER-RELEASE SS	■	2994089	RECEIVER ASSEMBLY V2, COPILOT
16	701-081	O-RING	56	2300101	RELEASE-KNOB	100	2372511	CASE, RECEIVER WHT
17	830-007	SCREW-8-32 [2.EA]	57	2301700	SPACER-RELEASE LEVER	101	2373442	SCREW 1/4-20 X 1.75 SS [2EA]
18	830-042	THRU-BOLT 10-32X8.83 [2.EA]	58	2332104	SCREW-1/4-20 X 5/8 SS	102	2373450	SCREW #8 X 3/8 [2EA]
19	990-067	WASHER- STEEL THRUST	59	2031522	COLLAR- DRIVE (W/INSERT)	103	2371727	WASHER [2EA]
20	990-070	WASHER - NYLATRON [2.EA]	60	2011366	SCREW-COLLAR/NEW KNOB SS	104	2373418	SCREW #8 X 5/8 SS
21	2097095	MOTOR ASSEMBLY 12V 3.62 48"	60A	2323104	NUT	105	2374089	CIRCUIT BOARD V2, RECEIVER
25	2032021	TUBE-CARBON COMPOSITE WHT 48"	61	2304060	CONTROL BOARD ASSEMBLY- 12V PD	■	2994864	BAG ASSEMBLY- (BOLT/NUT,WASHERS)
■	1378131	PROPELLER KIT	61a	2320208	DUST PLUG	*114	2263462	BOLT-MOUNTING-1/4X2 W/STG [6.EA]
26	2091160	PROPELLER W/WEDGE 2	62	2355410	SHRINK TUBE-3/8 ODX2	*116	2261713	WASHER-1/4 [6.EA]
27	2151726	WASHER-5/16 SS	64	2303434	SCREW-8-32 X 5/8 [3.EA]	*117	2263103	NUT NYLON 1/4-20 MTG [6.EA]
28	2198400	ANODE- ZINC 3.25/3.625 LWR U	65	2090651	LEADWIRE IOGA 44"	*118	2301720	WASHER-MOUNTING RUBBER [6.EA]
29	2092600	PIN-DRIVE	65A	2307310	BEAD - FERRITE (CE MODELS ONLY)	■	2888460	SEAL & ORING KIT
30	2301545	COLLAR- LATCH PD/AP	66	2020700	TERMINAL RING [2.EA]			
31	2303434	SCREW- 8-32X5/8 MACH PHCR	67	2321310	STRAIN RELIEF- BRACKET PD/AP			
32	2303112	NUT 8-32 NYLOC SS	68	2323405	SCREW-1/4-20 X 5/8 SS			
33	2301937	EXTRUSION- BASE MACHINED	69	2306556	HOUSING- CENTER PD/AP WHIT			
34	2303932	MOTOR REST- RIGHT 3-5/8	70	2074080	BATTERY GAUGE - 12 VOLT			
35	2303937	MOTOR REST- LEFT 3-5/8	71	2316606	DECAL- BATT GAUGE H RT AP			
36	2332104	SCREW 1/4-20X5/8 SS SELF TAP [4.EA]	72	2302935	STRAIN RELIEF-DR. HOUSING			
37	2771827	DRIVE HOUSING / LATCH HANDLE WHITE	73	2303944	SIDEPLATE (RIGHT) WHITE			
■	2882011	BUSHING/ OUTSHAFT KIT (INCLUDES 39-42)	74	2303949	SIDEPLATE(LEFT) WHITE			
*39	2302010	DRIVE HOUSING OUTPUT SHAFT	75	2332104	SCREW-1/4-20 X 5/8 SS			
*40	2307304	BUSHING- INNER [2.EA]	76	2302516	CONTROL BOX WHT			
*41	2307305	BUSHING- OUTER [2.EA]	77	2991280	COIL CORD W/STRAIN RELIEF 48, 54"			
			78	2065400	WIRE INSULATOR-LGE 1-3/4 [3.EA]			



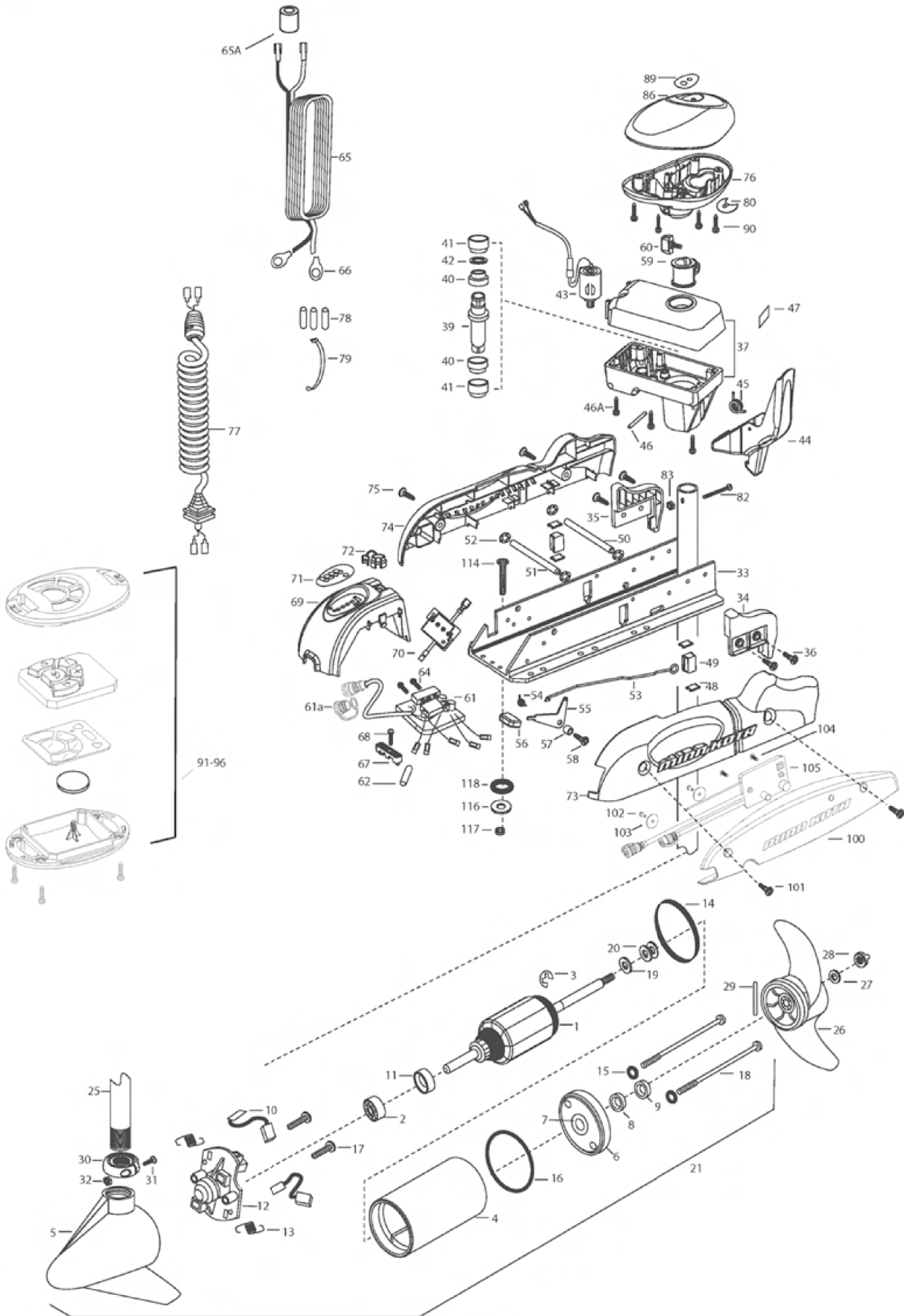


MINN KOTA®

## RIPTIDE 70 SP AUTOPILOT

1	2-100-119	ARMATURE ASSEMBLY 24V VARS TXT	*41	2307305	BUSHING- OUTER [2.EA]	80	2224703	INSERT- PLUG WHITE
2	140-010	BALL BEARING	*42	2304603	O-RING	82	2332102	SCREW-10-24 X 1-3/4
3	788-015	RETAINING RING	43	2307050	MOTOR- DRIVE HOUSING HIGH SPD	83	2333101	NUT-HEX 10-24 NYLOC
4	2-200-304	HOUSING ASSEMBLY CENTER 3.62 TXT	44	2307201	LATCH HANDLE PD/AP	84	2994014	CNTRL BOARD/AP COMPASS ASSEMBLY
5	421-336	HOUSING - BRUSH END 3.62 TXT	45	2302750	SPRING- LATCH TORSION PD/AP	85	2994015	COMPASS BOARD, SOUL HEMISPHERE
6	2-400-337	PLAIN END HOUSING ASSEMBLY 3.625	46	2302628	PIN- ROLL 3/16X2 SS	85	2302960	GROMMET-COMPASS [3.EA]
7	144-049	BEARING - FLANGE (SERVICE ONLY)	46A	2303405	SCREW - DRIVE HOUSING [6 EA]	86	2300243	CONTROL BOX COVER- RIPTIDE WHITE
8	880-003	SEAL	47	2305564	DECAL-STOW/DEPLOY	87	2304082	ACTUATOR- SWITCH ON/OFF/AP
9	880-006	SEAL WITH SHIELD	48	2305110	PAD-PIVOT SUPT [4.EA]	88	2303752	SPRING- ACTUATOR PD/AP SS
10	188-037	BRUSH ASSEMBLY [2.EA]	49	2305103	PIVOT PAD- NEW MTRL [2.EA]	89	2305656	DECAL- COVER 70 pd/ap
11	725-050	BRUSH RETENTION- PAPER TUBE	50	2330510	PIN-LATCH PD BASE SS	90	2372100	SCREW-8-18 X 5/8 THD CUT [4.EA]
12	738-036	BRUSH PLATE W/HOLDER	51	2330520	PIN-PIVOT PD BASE SS	■	2994020	COPILOT TRANSMITTER
13	975-040	SPRING - TORSION [2.EA]	52	2013100	NUT-SPEED [4.EA]	91		CASE, COVER, TRANSMITTER
14	337-036	GASKET	53	2303612	ROD-RELEASE RT/AP S	92		KEYPAD
15	701-008	O-RING, THRU-BOLT [2.EA]	54	2322700	SPRING-RELEASE LEVER	93		CIRCUIT BOARD, TRANSMITTER
16	701-081	O-RING	55	2333705	LEVER-RELEASE SS	94		BATTERY, COIN
17	830-007	SCREW-8-32 [2.EA]	56	2300101	RELEASE-KNOB	95		CASE, BOTTOM, TRANSMITTER
18	830-042	THRU-BOLT 10-32X8.83 [2.EA]	57	2301700	SPACER-RELEASE LEVER	96		SCREW, TRANSMITTER [4EA]
19	990-067	WASHER- STEEL THRUST	58	2332104	SCREW-1/4-20 X 5/8 SS	■	2994089	RECEIVER ASSEMBLY V2; COPILOT
20	990-070	WASHER - NYLATRON [2.EA]	59	2031522	COLLAR- DRIVE (W/INSERT)	100	2372511	CASE, RECEIVER WHT
21	2096036	MOTOR ASSEMBLY 24V 3.62	60	2011366	SCREW-COLLAR/NEW KNOB SS	101	2373442	SCREW 1/4-20 X 1.75 SS [2EA]
25	2032021	TUBE- COMPOSITE WHT 48"	60A	2323104	NUT	102	2373450	SCREW #8 X 3/8 [2EA]
	2032022	TUBE- COMPOSITE WHT 54"	61	2304063	CONTROL BOARD ASSEMBLY- 24V PD	103	2371727	WASHER [2EA]
	2032025	TUBE- COMPOSITE WHT 60"	61a	2320208	DUST PLUG	104	2373418	SCREW #8 X 5/8 SS
■	1378131	PROPELLER KIT	62	2355403	SHRINK TUBE-3/8 ODX2	105	2374089	CIRCUIT BOARD V2; RECEIVER
26	2091160	PROPELLER W/WEDGE 2	64	2303434	SCREW-8-32 X 5/8 [3.EA]	■	2994864	BAG ASSEMBLY- (BOLT,NUT,WASHERS)
27	2151726	WASHER-5/16 SS	65	2090651	LEADWIRE IOGA 44"	*114	2263462	BOLT-MOUNTING-1/4X2 W/STG [6.EA]
28	2198400	ANODE- ZINC 3.25/3.625 LWR U	65A	2307310	BEAD - FERRITE (CE MODELS ONLY)	*116	2261713	WASHER-1/4 [6.EA]
29	2092600	PIN-DRIVE	66	2020700	TERMINAL RING [2.EA]	*117	2263103	NUT NYLOC 1/4-20 MTG [6.EA]
30	2301545	COLLAR- LATCH PD/AP	67	2321310	STRAIN RELIEF- BRACKET PD/AP	*118	2301720	WASHER-MOUNTING RUBBER [6.EA]
31	2303434	SCREW- 8-32X5/8 MACH PHCR	68	2323405	SCREW-1/4-20 X 5/8 SS	■	2888460	SEAL & ORING KIT
32	2303112	NUT 8-32 NYLOC SS	69	2306556	HOUSING- CENTER PD/AP WHIT			
33	2301937	EXTRUSION- BASE MACHINED	70	2074081	BATTERY GAUGE - 24 VOLT			
34	2303932	MOTOR REST- RIGHT 3-5/8	71	2316606	DECAL- BATT GAUGE H RT AP			
35	2303937	MOTOR REST- LEFT 3-5/8	72	2302935	STRAIN RELIEF-DR. HOUSING			
36	2332104	SCREW 1/4-20X5/8 SELF TAP [4.EA]	73	2303944	SIDEPLATE (RIGHT) WHITE			
37	2771827	DRIVE HOUSING / LATCH HANDLE WHITE	74	2303949	SIDEPLATE(LEFT) WHITE			
■	2882011	BUSHING/ OUTSHAFT KIT (INCLUDES 39-42)	75	2332104	SCREW-1/4-20 X 5/8 SS			
*39	2302010	DRIVE HOUSING OUTPUT SHAFT	76	2302516	CONTROL BOX WHT			
*40	2307304	BUSHING- INNER [2.EA]	77	2991285	COIL CORD WSTRAIN RELIEF 48. 54"			
			78	2065400	WIRE INSULATOR-LGE 1-3/4 [3.EA]			
			79	2256300	TIE WRAP-5" BLACK			

## RIPTIDE 70 SP POWERDRIVE





MINN KOTA®

## RIPTIDE 70 SP POWERDRIVE

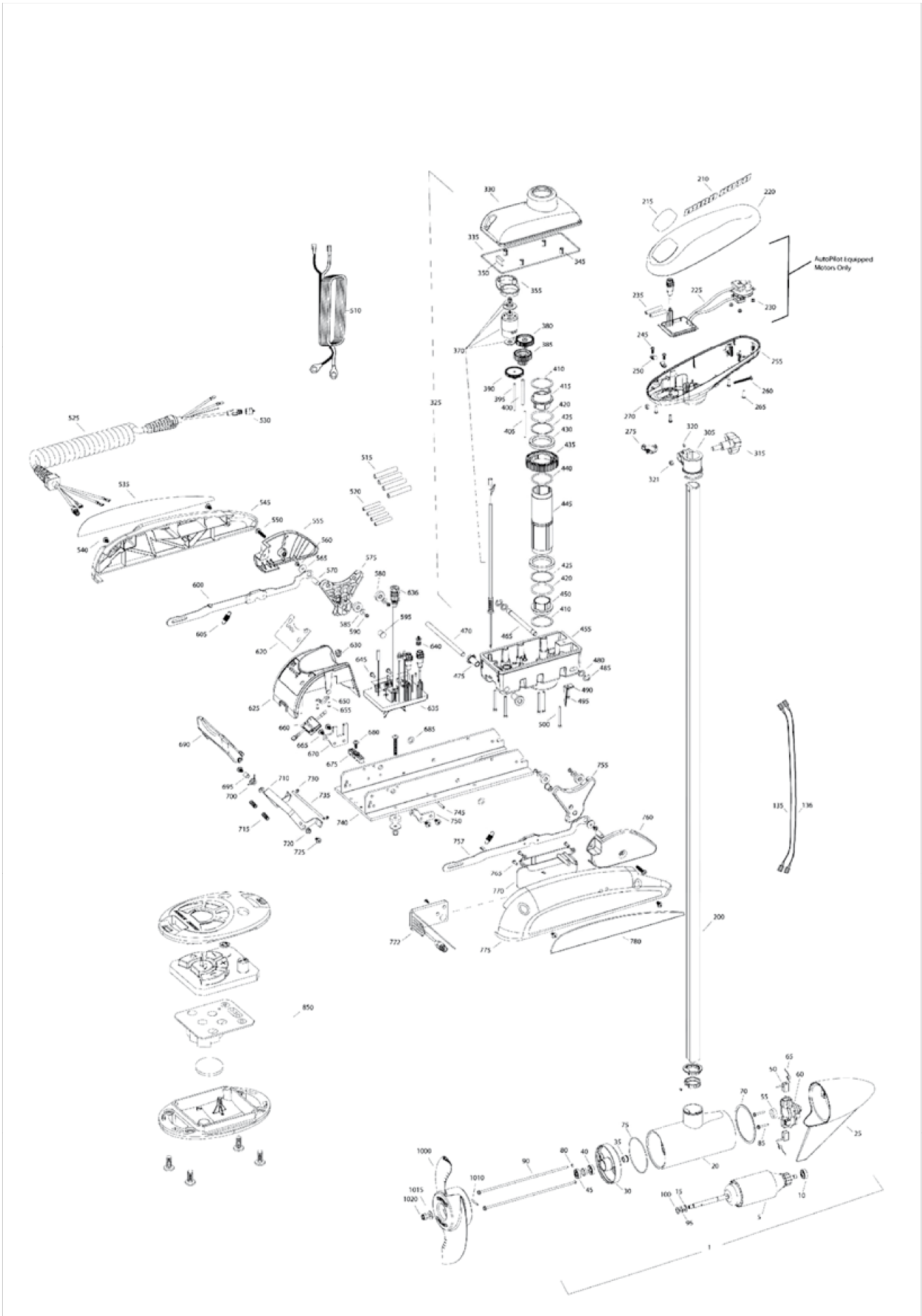
1	2-100-119	ARMATURE ASSEMBLY 24V VARS TXT	*42	2304603	O-RING	79	2256300	TIE WRAP-5" BLACK
2	140-010	BALL BEARING	43	2307050	MOTOR- DRIVE HOUSING HIGH SPD	80	2224703	INSERT- PLUG WHITE
3	788-015	RETAINING RING	44	2307201	LATCH HANDLE PD/AP	82	2332102	SCREW-10-24 X 1-3/4
4	2-200-304	HOUSING ASSEMBLY CENTER 3.62 TXT	45	2302750	SPRING- LATCH TORSION PD/AP	83	2333101	NUT-HEX 10-24 NYLOC
5	421-336	HOUSING-BRUSH END 3.62 TXT	46	2302628	PIN- ROLL 3/16X2 SS	86	2300243	CONTROL BOX COVER- RIPTIDE WHITE
6	2-400-337	PLAIN END HOUSING ASSEMBLY 3.625	46A	2303405	SCREW - DRIVE HOUSING [6 EA]	89	2315690	DECAL- COVER 70pd
7	144-049	BEARING - FLANGE (SERVICE ONLY)	47	2305564	DECAL-STOW/DEPLOY	90	2372100	SCREW-8-18 X 5/8 THD CUT [4.EA]
8	880-003	SEAL	48	2305110	PAD-PIVOT SUPT [4.EA]	■	2994020	COPILOT TRANSMITTER
9	880-006	SEAL WITH SHIELD	49	2305103	PIVOT PAD- NEW MTRL [2.EA]	91		CASE, COVER, TRANSMITTER
10	188-037	BRUSH ASSEMBLY [2.EA]	50	2330510	PIN-LATCH PD BASE SS	92		KEYPAD
11	725-050	BRUSH RETENTION- PAPER TUBE	51	2330520	PIN-PIVOT PD BASE SS	93		CIRCUIT BOARD, TRANSMITTER
12	738-036	BRUSH PLATE W/HOLDER	52	2013100	NUT-SPEED [4.EA]	94		BATTERY, COIN
13	975-040	SPRING - TORSION [2.EA]	53	2303612	ROD-RELEASE RT/AP S	95		CASE, BOTTOM, TRANSMITTER
14	337-036	GASKET	54	2322700	SPRING-RELEASE LEVER	96		SCREW, TRANSMITTER [4EA]
15	701-008	O-RING, THRU-BOLT [2.EA]	55	2333705	LEVER-RELEASE SS	■	2994089	RECEIVER ASSEMBLY V2, COPILOT
16	701-081	O-RING	56	2300101	RELEASE-KNOB	100	2372511	CASE, RECEIVER WHT
17	830-007	SCREW-8-32 [2.EA]	57	2301700	SPACER-RELEASE LEVER	101	2373442	SCREW 1/4-20 X 1.75 SS [2EA]
18	830-042	THRU-BOLT 10-32X8.83 [2.EA]	58	2332104	SCREW-1/4-20 X 5/8 SS	102	2373450	SCREW #8 X 3/8 [2EA]
19	990-067	WASHER- STEEL THRUST	59	2031522	COLLAR- DRIVE (W/INSERT)	103	2371727	WASHER [2EA]
20	990-070	WASHER - NYLATRON [2.EA]	60	2011366	SCREW-COLLAR/NEW KNOB SS	104	2373418	SCREW #8 X 5/8 SS
21	2096036	MOTOR ASSEMBLY 24V 3.62 54"	60A	2323104	NUT	105	2374089	CIRCUIT BOARD V2, RECEIVER
25	2032022	TUBE- COMPOSITE 54" AP WHT	61	2304061	CONTROL BOARD ASSEMBLY- 24V PD	■	2994864	BAG ASSEMBLY- (BOLT,NUT,WASHERS)
■	1378131	PROPELLER KIT	61a	2320208	DUST PLUG	*114	2263462	BOLT-MOUNTING-1/4X2 W/STG [6.EA]
26	2091160	PROPELLER W/WEDGE 2	62	2355410	SHRINK TUBE-3/8 ODX2	*116	2261713	WASHER-1/4 [6.EA]
27	2151726	WASHER-5/16 SS	64	2303434	SCREW-8-32 X 5/8 [3.EA]	*117	2263103	NUT NYLON 1/4-20 MTG [6.EA]
28	2198400	ANODE- ZINC 3.25/3.625 LWR U	65	2090651	LEADWIRE IOGA 44"	*118	2301720	WASHER-MOUNTING RUBBER [6.EA]
29	2092600	PIN-DRIVE	65A	2307310	BEAD - FERRITE (CE MODELS ONLY)	■	2888460	SEAL & ORING KIT
30	2301545	COLLAR- LATCH PD/AP	66	2020700	TERMINAL RING [2.EA]			
31	2303434	SCREW- 8-32X5/8 MACH PHCR	67	2321310	STRAIN RELIEF- BRACKET PD/AP			
32	2303112	NUT 8-32 NYLOC SS	68	2322104	SCREW-1/4-20 X 5/8 SS			
33	2301937	EXTRUSION- BASE MACHINED	69	2306556	HOUSING- CENTER PD/AP WHIT			
34	2303932	MOTOR REST- RIGHT 3-5/8	70	2074081	BATTERY GAUGE - 12 VOLT			
35	2303937	MOTOR REST- LEFT 3-5/8	71	2316606	DECAL- BATT GAUGE H RT AP			
36	2303204	SCREW 1/4-20X5/8 SS SELF TAP [4.EA]	72	2302935	STRAIN RELIEF-DR. HOUSING			
37	2771827	DRIVE HOUSING / LATCH HANDLE WHITE	73	2303944	SIDEPLATE (RIGHT) WHITE			
■	2882011	BUSHING/OUTSHAFT KIT (INCLUDES 39-42)	74	2303949	SIDEPLATE(LEFT) WHITE			
*39	2302010	DRIVE HOUSING OUTPUT SHAFT	75	2332104	SCREW-1/4-20 X 5/8 SS			
*40	2307304	BUSHING- INNER [2.EA]	76	2302516	CONTROL BOX WHT			
*41	2307305	BUSHING- OUTER [2.EA]	77	2991280	COIL CORD W/STRAIN RELIEF 48, 54"			
			78	2065400	WIRE INSULATOR-LGE 1-3/4 [3.EA]			





MINN KOTA®

RIPTIDE 55 ST



MINN KOTA®

W W W . N A V I C O M . F R





MINN KOTA®

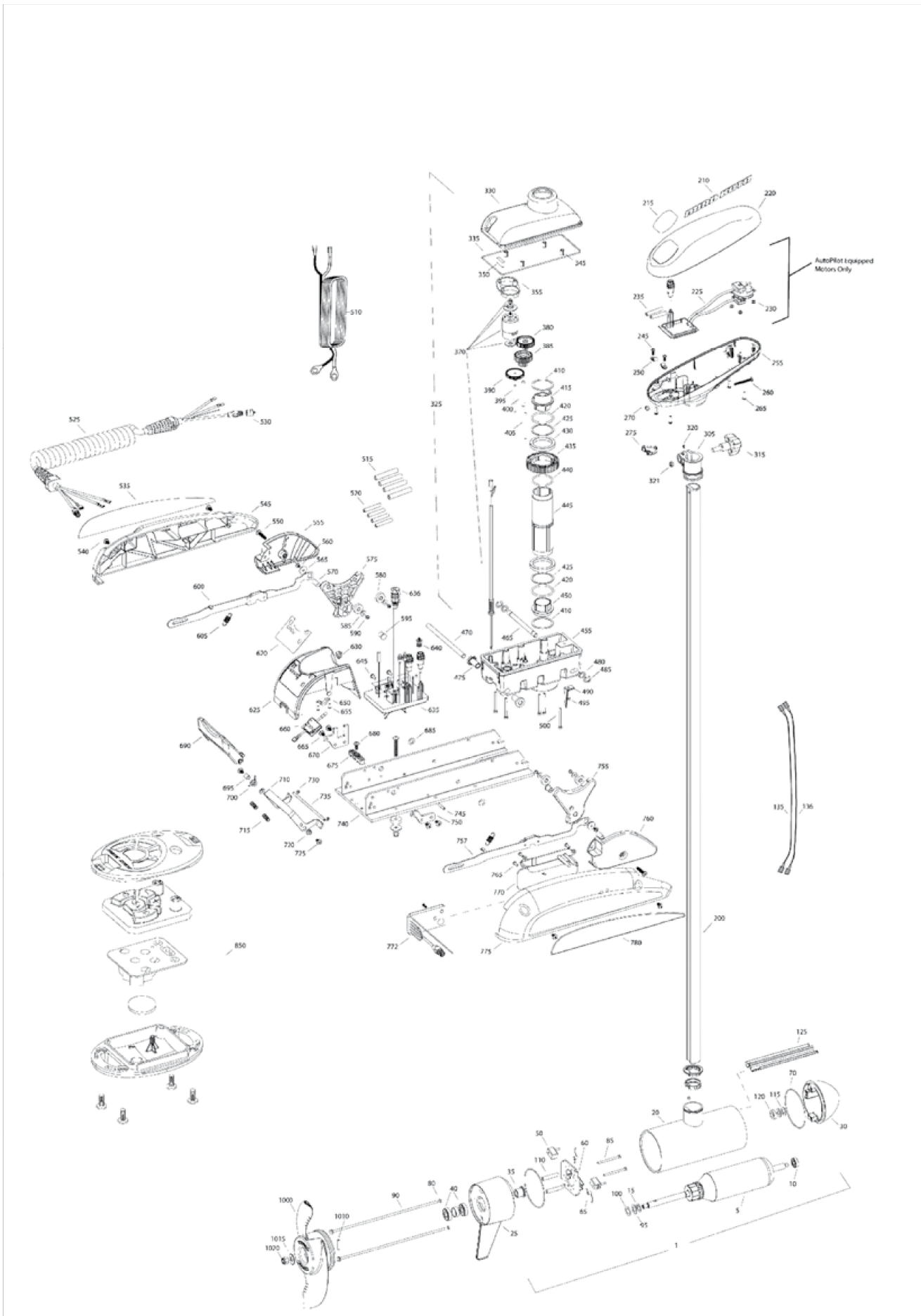
RIPTIDE 55 ST

Item	P/N	Description	Qty	Item	P/N	Description	Qty	Item	P/N	Description	Qty
1	2779030	12V Motor 48" SW	1	380	2302255	Gear, cluster 3rd stage	1	655	2332103	Screw, 6-20 x .375	2
	2779031	12V Motor 54" SW	1	385	2302250	Gear, cluster 2nd stage	1	660	2074080	Battery meter, 12v	1
5	2-100-146	Armature assembly	1	390	2302245	Gear, cluster 1st stage	1	665	2323402	Screw, 1/4-20 x .375	4
10	140-010	Bearing	1	395	2302610	Shaft, gear 1st stage	1	670	2321941	Bracket, strain relief	1
15	788-015	Retaining ring	1	400	2302620	Shaft, gear 3rd stage	1	675	2321310	Strain relief, wire	1
20		Included in #200 assembly	1	405	2302615	Shaft, gear 2nd stage	1	680	2323405	Screw, 1/4-20 x .5	1
25	421-350	Brush end housing assembly STD	1	410	2321704	Washer, thrust	2	685	2333100	Speed nut, .375	2
30	2-400-337	Plain end housing assembly	1	415	2321515	Liner, output tube	1	690	2320216	Handle, release cover	1
35	144-049	Flange bearing	1	420	2324608	O-ring, 224	2	695	2301700	Bushing,	1
40	880-003	Seal	1	425	2321720	Shim, O-ring	2	700	2322701	Spring, release handle	1
45	880-006	Seal with shield	1	430	2327308	Bearing, ball sealed	2	710	2320401	Handle, release SW	1
50	188-036	Brush	2	435	2322200	Gear, output	1	715	2322712	Spring, release handle	2
55	725-050	Paper tube	1	440	2324601	O-ring, output gear	1	720	2322604	Bushing, handle	2
60	738-036	Brush plate assembly	1	445	2322030	Tube, output machined	1	725	2332104	Screw, 1/4-20 x .625	2
65	975-040	Brush spring	2	450	2321510	Collar, drive, bottom	1	730	2323000	E-clip, 3/16, SS	2
70	337-036	Gasket	1	455	2326507	Steering housing, Bottom	1	735	2322607	Pin, follower, handle	1
75	701-081	O-ring, motor	1	460	2320605	Leadwire, Steering	1	740	2321902	Base extrusion, machined	1
80	701-008	O-ring, thru-bolt	2	465	2322601	Pin, latch, SS	1	745	2322912	Spring pin,	2
85	830-007	Screw, 8-32	2	470	2322603	Pin, pivot, SS	1	750	2321951	Bracket, sideplate	1
90	830-008	Thru-bolt	2	475	2327310	Bushing, pivot pin	2	755	2323910	Ramp, 3 5/8" right	1
95	990-067	Washer, steel	2	480	2321702	Washer, flat .375	2	757	2994201	Arm, release, Right	1
100	990-070	Washer, nylon	2	485	2263011	E-ring .375	2	760	2321920	Skid, right	1
135	640-009	Leadwire, black	1	490	2322702	Spring, latch pin	2	765	2301310	Screw, 8-18 x .5	3
136	640-108	Leadwire, red	1	495	2323410	Screw, 8-32 x .75	1	770	2370221	Cover, access, SW	1
200	2779305	Tube, composite 54" SW	1	500	2323408	Screw, 8-32 x 2	7	772	2374090	Copilot Receiver Board	1
205		Included in #200 assembly	1	510	2090651	Leadwire, 10 ga	1	775	2321911	Sideplate, right, SW	1
210	2325666	Decal, cover	2	525	2991273	Coil cord, 45"	1	780	2325642	Decal, sideplate, right	1
215	2325685	Decal, ctrl box 55 RT	1	530	2991271	Coil cord, 54"	1	850	2994095	Remote assembly	1
220	2320201	Cover, ctrl box	1	535	2325643	Cap, dust, coil cord, non-AP only	1	851		Case, cover, transmitter	1
225	2324030	Ctrl board, compass, Autopilot only	1	540	2323405	Decal, sideplate, left	1	860		Keypad, transmitter	1
230	2302960	Grommet, compass, Autopilot only	3	545	2321916	Screw, 1/4-20	4	865		Transmitter board	1
235	2305415	Wire insulator	3	550	2323403	Sideplate, left	2	870		Battery, transmitter	1
245	2372100	Screw, 8-18 x .625	3	555	2321925	Screw, 1/4-20 x .375 SS	2	875		Case, bottom, transmitter	1
250	2052510	Cable clamp	3	560	2323422	Skid, left	1	880		Screw, 4-24	4
255	2322501	Ctrl box	1	565	2321700	Screw, 10-24 x .375	2			Propeller kit WW2	1
260	2332102	Screw, 10-24	1	570	2323501	Washer, #10 SS	2			Propeller bag Assy	1
265	2372100	Screw, 8-18 x .625	4	575	2323915	Bolt, shoulder	1			Propeller WW2	1
270	2333101	Nut, 10-24	1	580	2325117	Ramp, 3 5/8" left	4			Drive pin, small	1
275	2224702	Plug, ctrl box	1	585	2321706	Pad, rubber rest	4			Washer, prop, small	1
305	2771500	Depth collar assembly	1	590	2323412	Washer, #8	4			Nut, anode, nylock, prop, small	1
315	2260906	knob (included in #305)	1	595	2324706	Screw, 8-18 x .25	4			Mounting hardware bag Assy	1
320	2321706	washer (included in #305)	1	600	2994203	Insert, ramp	2			Seal & O-ring Kit	1
321	2323102	Steering housing	1	605	2322710	Arm, release, left	1				
325	2997051	Steering housing	1			Spring, extension	2				
330	2326502	Steering housing top	1			Cover, speed control with decal	1				
335	2324604	O-ring, case seal	1	620	2325651	Decal, speed control	1				
345	2305605	Roll pin 5/16	4	625	2320211	Cover, speed control	1				
350	2308601	Breather filter	1	630	2322901	Strain relief	1				
355	2328610	Cradle, motor	1	635	2324011	Control board, 12v	1				
360	2302240	Pinion gear	1			Switch-reed repair kit	1				
365	2300265	Cap, motor, plastic	1	636	2320208	Dust plug	1				
370	2307050	Motor, steering, 12V	1	640	2320203	Cap, dust, control board	1				
375	2300560	Cap, spacer, plastic	1	645	2323406	Screw, 10-24 x	2				
			1	650	2321315	Holder, connector	1				



MINN KOTA®

RIPTIDE 80 ST



MINN KOTA®

W W W . N A V I C O M . F R





MINN KOTA®

RIPTIDE 80 ST

Item	P/N	Description	Qty	Item	P/N	Description	Qty	Item	P/N	Description	Qty
1	2777027	24V Motor 60" SW	1	375	2300560	Cap. spacer, plastic	1	650	2321315	Holder, connector	1
	2777026	24V Motor 54" SW	1	380	2302255	Gear, cluster, 3rd stage	1	655	2332103	Screw, 6-20 x .375	2
5	2-100-214	Armature assembly	1	385	2302250	Gear, cluster, 2nd stage	1	660	2074081	Battery meter, 24V	1
10	140-010	Bearing	1	390	2302245	Gear, cluster, 1st stage	1	665	2323402	Screw, 1/4-20 x .375	4
15	788-040	Retaining ring	1	395	2302610	Shaft, gear 1st stage	1	670	2321941	Bracket, strain relief	1
20		Included in #200 assembly	1	400	2302620	Shaft, gear 3rd stage	1	675	2321310	Strain relief, wire	1
25	2-300-370	Brush end housing assembly	1	405	2302615	Shaft, gear 2nd stage	1	680	2323405	Screw, 1/4-20 x .5	1
30	421-376	Plain end housing assembly SW	1	410	2321704	Washer, thrust	2	685	2333100	Speed nut, .375	2
35	144-017	Flange bearing	1	415	2321515	Liner, output tube	1	690	2320216	Handle, release cover	1
40	880-025	Seal	2	420	2324608	O-ring, 224	2	695	2301700	Bushing,	1
50	188-094	Brush	2	425	2321720	Shim, O-ring	2	700	2322701	Spring, release handle	1
60	2-600-199	Brush plate assembly	1	430	2327308	Bearing, ball sealed	2	710	2320401	Handle, release SW	1
65	975-041	Brush spring	2	435	2322200	Gear, output	1	715	2322712	Spring, release handle	2
70	701-043	O-ring, motor	2	440	2324601	O-ring, output gear	1	720	2322604	Bushing, handle	2
80	701-009	O-ring, thru-bolt	2	445	2322030	Tube, output machined	1	725	2332104	Screw, 1/4-20 x .625	2
85	830-027	Screw, 10-32 x 2	2	450	2321510	Collar, drive, bottom	1	730	2323000	E-clip, 3/16, SS	2
90	830-095	Thru-bolt	2	455	2326507	Steering housing, Bottom	1	735	2322607	Pin, follower, handle	1
95	990-051	Washer, steel	2	460	2320605	Leadwire, Steering	1	740	2321902	Base extrusion, machined	1
100	990-052	Washer, nylontron	2	465	2322601	Pin, latch, SS	1	745	2322912	Spring pin,	2
110	973-025	Spacer, brush plate	2	470	2322603	Pin, pivot, SS	1	750	2321951	Bracket, sideplate	1
115	992-010	Washer, Belleville	2	475	2327310	Bushing, pivot pin	2	755	2323900	Ramp, 4" right	1
120	990-045	Spacer, thrust	1	480	2321702	Washer, flat .375	2	757	2994201	Arm, release, Right	1
125	582-013	Clip, retaining, short	1	485	2263011	E-ring .375	2	760	2321920	Skid, right	1
135	640-025	Leadwire, black	1	490	2322702	Spring, latch pin	2	765	2301310	Screw, 8-18 x .5	3
136	640-133	Leadwire, red	1	495	2323410	Screw, 8-32 x .75	1	770	2370221	Cover, access, SW	1
200	2777396	Included in #200 assembly	1	500	2323408	Screw, 8-32 x 2	7	772	2374090	Copilot Receiver Board	1
210	2325686	Decal, cover	2	510	2090651	Leawire, 10 ga	1	775	2321911	Sideplate, right, SW	1
215	2325686	Decal, ctrl box 80 RT	1	525	2991273	Coil cord, 45"	1	780	2325642	Decal, sideplate, right	1
220	2325683	Decal, ctrl box 80 RT Autopilot	1	530	2320202	Cap. dust, coil cord, non-AP only	1	850	2994095	Remote assembly	1
225	2324030	Ctrl board, compass, Autopilot only	1	535	2325643	Decal, sideplate, left	1	851		Case, cover, transmitter	1
230	2302960	Grommet, compass, Autopilot only	3	540	2323405	Screw, 1/4-20	4	860		Keypad, transmitter	1
235	2305415	Wire insulator	2	545	2321916	Sideplate, left	2	865		Transmitter board	1
245	2372100	Screw, 8-18 x .625	3	550	2323403	Screw, 1/4-20 x .375 SS	2	870		Battery, transmitter	1
250	2052510	Cable clamp	1	555	2321925	Skid, left	1	875		Case, bottom, transmitter	1
255	2322501	Ctrl box	1	560	2323422	Screw, 10-24 x .375	2	880		Screw, 4-24	4
260	2332102	Screw, 10-24	1	565	2321700	Washer, #10 SS	2				
265	2372100	Screw, 8-18 x .625	4	570	2323501	Bolt, shoulder	2				
270	2333101	Nut, 10-24	1	575	2323905	Ramp, 4" left	1				
275	2224702	Plug, ctrl box	1	585	2321706	Washer, #8	4				
305	2771500	Depth collar assembly	1	585	2321706	Washer, #8	4				
315	2260906	Knob (included in #305)	1	590	2323412	Screw, 8-18 x .25	4				
320	2321706	Washer (included in #305)	1	595	2324706	Insert, ramp	2				
321	3233102	Nut (included in #305)	1	600	2994203	Arm, release, left	1				
325	2997021	Steering housing	1	605	2322710	Spring, extension	2				
330	2326502	Steering housing top	1			Cover, speed control with decal	1				
335	2324604	O-ring, case seal	1	620	2325651	Decal, speed control	1				
345	2305605	Roll pin 5/16	4	625	2320211	Cover, speed control	1				
350	2308601	Breather, filter	1	630	2322901	Strain relief	1				
355	2328610	Cradle, motor	1	635	2324012	Control board, 24-36v	1				
360	2302240	Pinion gear	1			Switch-reed repair kit	1				
365	2300265	Cap, motor, plastic	1	636	2320208	Dust plug	1				
370	2327020	Motor, steering, 24V	1	640	2320203	Cap. dust, control board	1				
			1	645	2323406	Screw, 10-24 x	2				

Propeller kit WW2  
Propeller bag Assy  
Propeller WW2  
Drive pin, large  
Washer, prop. large  
Nut, Anode, nylock, prop. large

1378132  
2994876  
1000 2331160  
1010 2262658  
1015 2091701  
1020 2198401

2994864  
2889460

Mounting hardware bag Assy  
Seal & Oring Kit